

HF 360

DALI-2 APC - concealed
 EAN 4007841 002817
 Article number 002817



high frequency sensor 360°



max. Ø 12 m



IP20



ideal 2,5 - 3,5 m



indoor sensor



iQ-mode



Teach mode



energy saving



5 years
 manufacturer's warranty steinel-professional.de/
 garantie



CE

Function description

Doesn't miss a thing. HF-presence detector Presence Control PRO HF 360 DALI-2 Application Controller for indoors, ideal for WCs with toilet cubicles, changing rooms, stairwells, multi-storey car parks, kitchens, installation height up to 3.5 m, with digital DALI-2 Application Controller interface for controlling 2 lighting channels, 1 – 12 m reach, reach is electronically adjustable and can be limited in two directions, detection regardless of temperature, HF-sensor technology also detects movement through glass, wood and stud walls.

Technical specifications

| | | | |
|----------------------------|--|---|---|
| Dimensions (L x W x H) | 56 x 120 x 120 mm | HF-system | 5,8 GHz |
| Manufacturer's Warranty | 5 years | Detection | also through glass, wood and stud walls |
| Settings via | Remote control, DIP switches, Potentiometers, Smart Remote | Detection angle | 360 ° |
| With remote control | No | Angle of aperture | 140 ° |
| Version | DALI-2 APC - concealed | Sneak-by guard | Yes |
| PU1, EAN | 4007841002817 | Capability of masking out individual segments | Yes |
| Type | Presence detector | Electronic scalability | Yes |
| Application, place | Indoors | Mechanical scalability | No |
| Application, room | function room / ancillary room, kitchenette, stairwell, WC / washroom, Indoors | Reach, radial | Ø 12 m (113 m ²) |
| Colour | white | Reach, tangential | Ø 12 m (113 m ²) |
| Colour, RAL | 9010 | Transmitter power | < 1 mW |
| Includes corner wall mount | No | Functions | Normal / test mode, Semi-/fully automatic, Pushbutton / switch mode, Manual ON / ON-OFF, Constant-lighting control ON-OFF |
| Installation site | ceiling | Twilight setting | 10 – 1000 lx |
| Installation | Concealed wiring, Ceiling | | |

HF 360

DALI-2 APC - concealed
 EAN 4007841 002817
 Article number 002817



Technical specifications

| | | | |
|-------------------------|------------------------------------|---------------------------------|---------------------|
| IP-rating | IP20 | Time setting | 30 s – 30 Min. |
| Ambient temperature | from -25 up to 55 °C | Basic light level function | Yes |
| Material | Plastic | Basic light level function time | 1-60 min, all night |
| Mains power supply | 230 V / 50 – 60 Hz | Main light adjustable | 50 - 100 % |
| Steuerausgang, Dali | Broadcast 2x12 electronic ballasts | Twilight setting TEACH | Yes |
| With bus coupling | Yes | Constant-lighting control | Yes |
| Technology, sensors | High frequency, Light sensor | Interconnection | Yes |
| Mounting height | 2,50 – 3,50 m | Type of interconnection | Master/slave |
| Mounting height max. | 3,50 m | Interconnection via | Cable |
| Optimum mounting height | 2,8 m | Product category | Presence detector |

Accessories

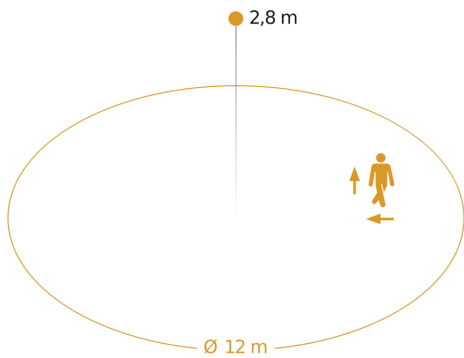
| | |
|--------------------|--|
| EAN 4007841 006600 | HF-ceiling adapter |
| EAN 4007841 592806 | User remote control RC5 |
| EAN 4007841 009151 | Remote control Smart Remote |
| EAN 4007841 000363 | Surface-mounted adapter Control Pro IP54 |
| EAN 4007841 003036 | Control PRO guard cage |
| EAN 4007841 559410 | Service remote control RC8 |

HF 360

DALI-2 APC - concealed
 EAN 4007841 002817
 Article number 002817

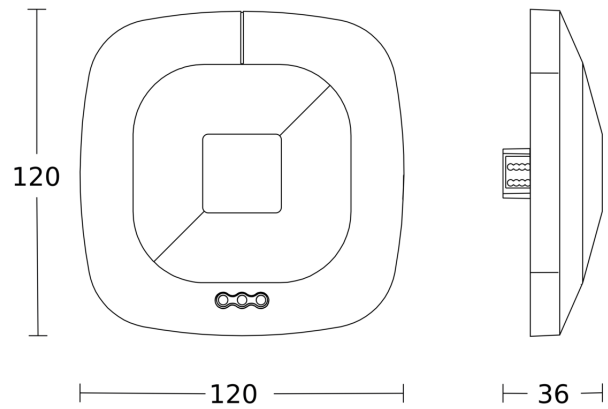


Detection Zone

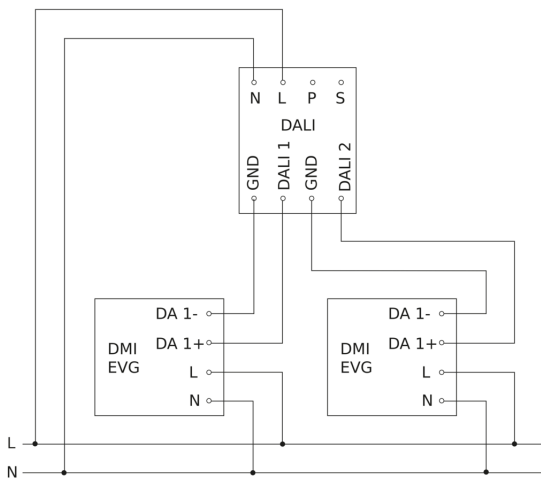


Possible mounting height: 2,50 m - 3,50 m
 Orange: radial and tangential

Dimension Drawing



Master circuit diagram



Master/master interconnection circuit diagram

